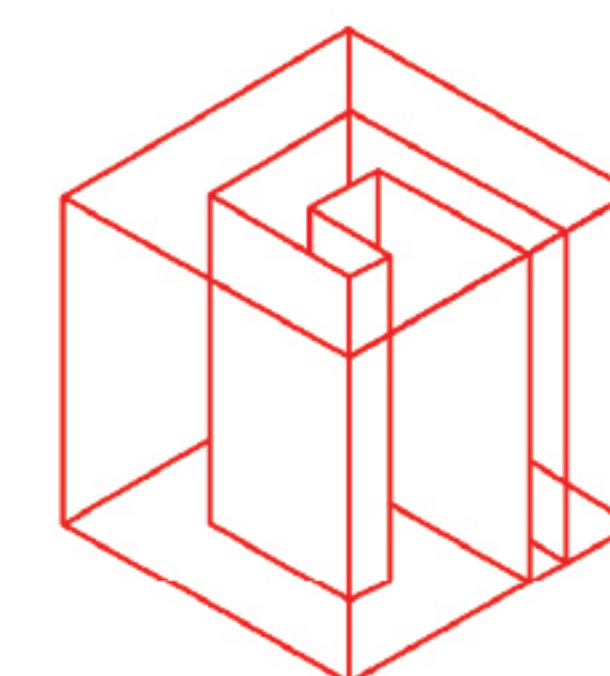


INNOVATION IN EVERY FRAME

SG4500

 **GREFET**



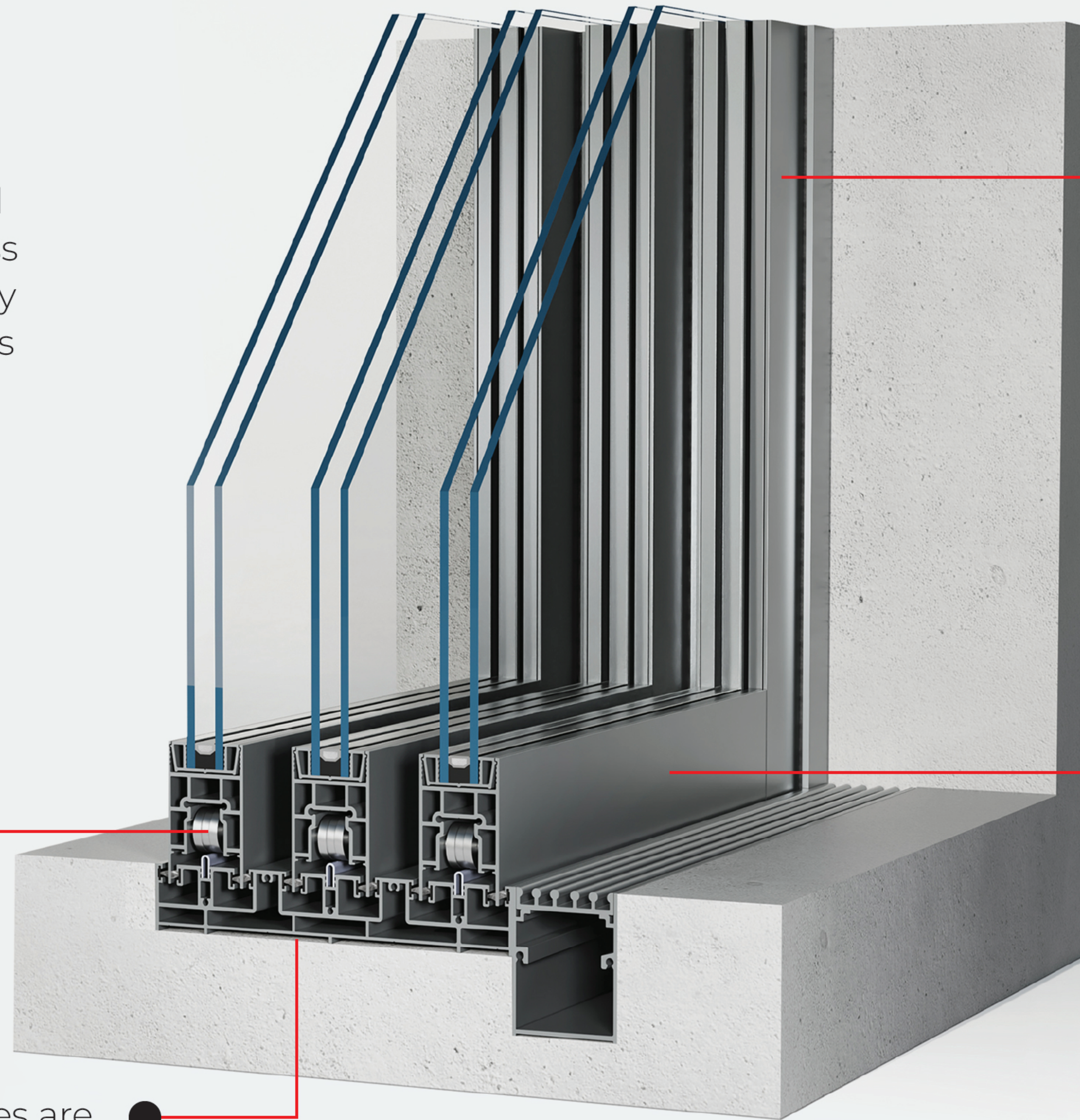
THE SCIENCE
OF SYSTEM
WINDOWS



The **SG4500** sliding door offers massive glass views with a slim 22mm interlocking system, featuring concealed unitized pasting on all 4 sides using premium 6063-T6 alloy. Available in 2 & 3 track options supporting 2, 3, 4 or 6 sashes, it handles up to 400kg per leaf for versatile configurations.

The **SG4500** accommodates 12-38mm glazing with a sturdy 65mm sash profile, combining strength and elegance in modern architecture while reaching impressive 16-foot height for uninterrupted floor-to-ceiling views with smooth operation and structural integrity.

Rollers meticulously crafted from high-quality stainless steel, offer exceptional durability and performance. The stainless steel construction not only enhances their robustness but also ensures they meet the rigorous EN13126-15 standards.



Engineered from premium-grade virgin alloy 6036-T6, renowned for its exceptional quality and performance, making it the material of choice.

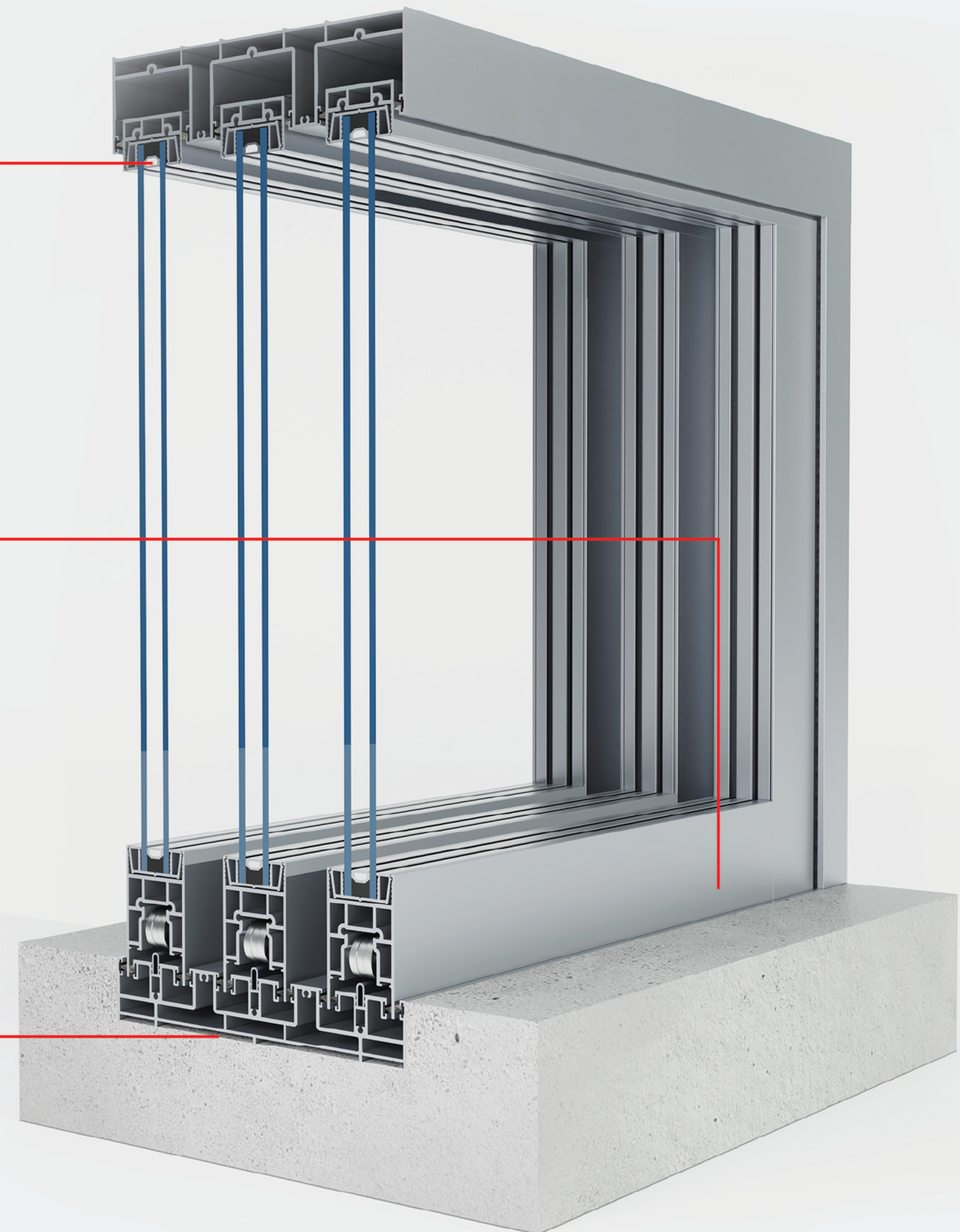
A seamlessly concealed system with sleek integration, ensuring a modern aesthetic while maintaining functionality and enhancing architectural elegance.

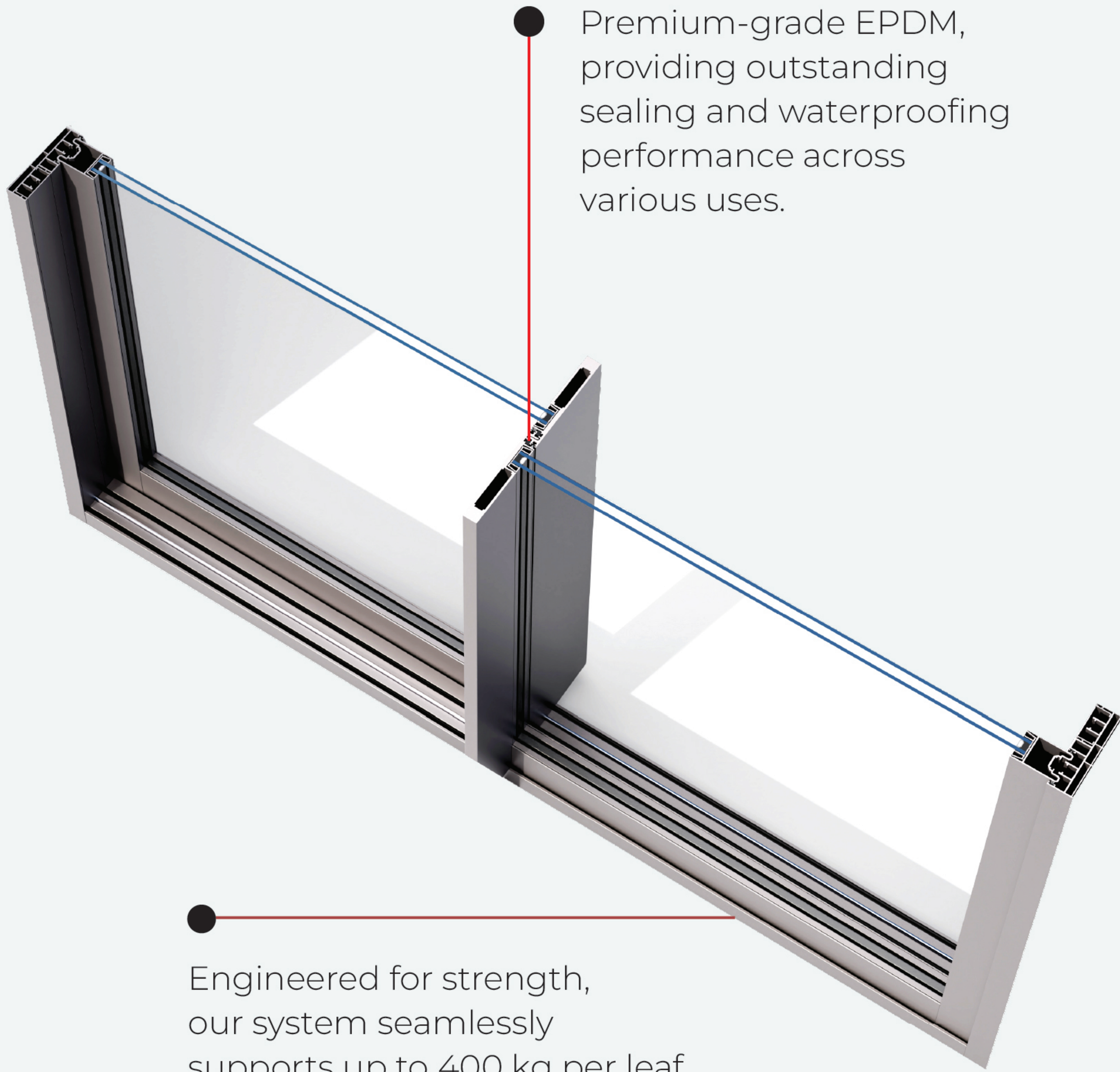
Primetrical three-fin brushes are highly acclaimed for their exceptional precision and durability, efficiently preventing dirt, insects, and debris infiltration.

Double Glazed Unit (DGU) glass is utilized to enhance thermal insulation and energy efficiency. Its multi-layered design, featuring an insulating air or gas gap between panes, minimizes heat transfer, reducing energy consumption.

An extensive range of RAL colors and customizable orientation options for tailored design flexibility.

With an ultra-slim 205mm track width, this robust system maximizes space without compromising strength or performance.

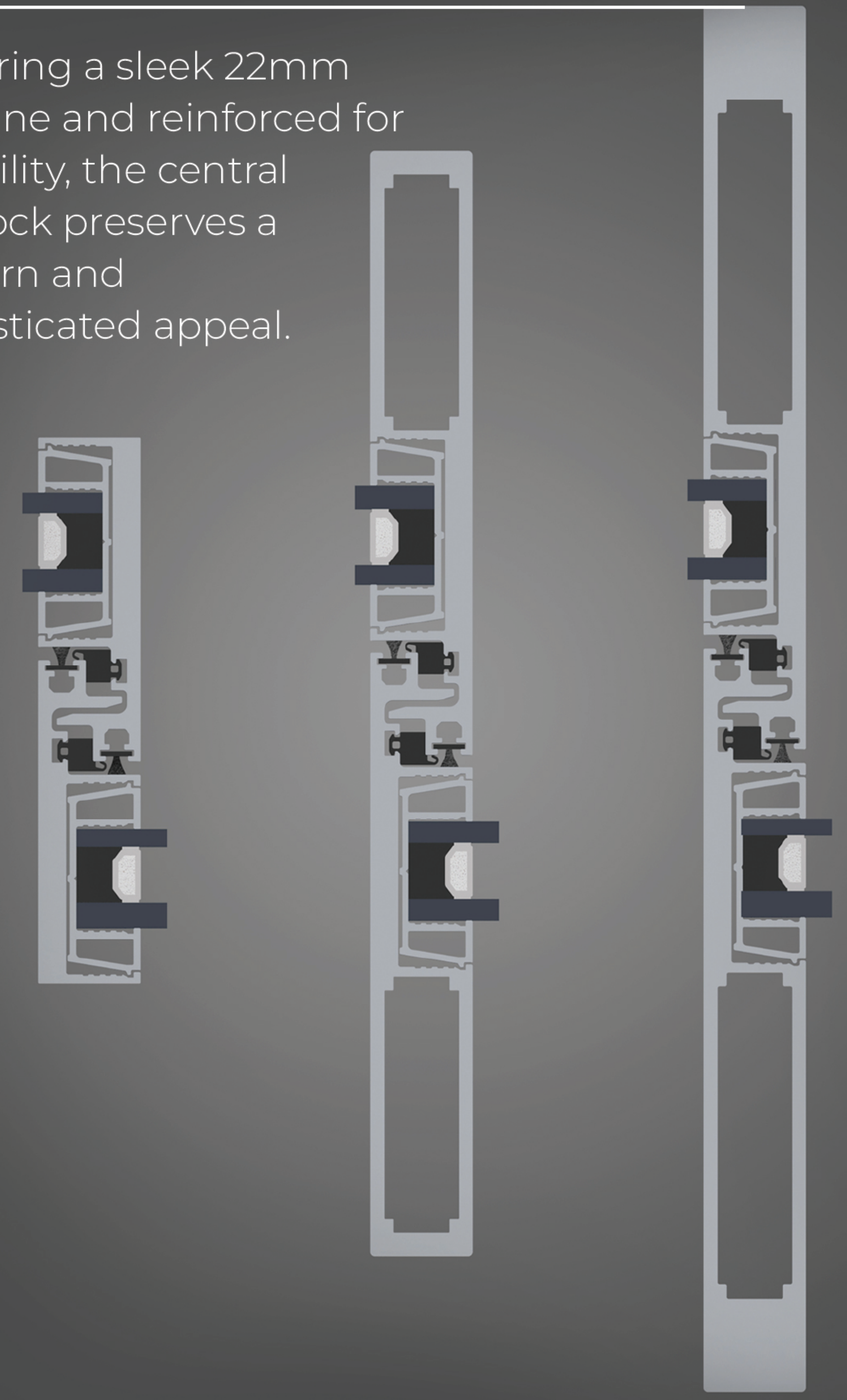




● Premium-grade EPDM, providing outstanding sealing and waterproofing performance across various uses.

● Engineered for strength, our system seamlessly supports up to 400 kg per leaf, ensuring durability, stability, and long-lasting performance.

● Featuring a sleek 22mm sightline and reinforced for durability, the central interlock preserves a modern and sophisticated appeal.





| FEATURES | TECHNICAL |
|--|--|
| Alloy grade | 6063 – T6 |
| Glazing | 12 – 38 mm glass |
| Possible Typology Possibilities | 2, 3, 4, 6 sashes 2 track & 3 track |
| Sections Frame | 2 track 132 mm 3 track 205 mm |
| Frame depth | 35 mm |

| FEATURES | TECHNICAL |
|--|-----------------|
| Profile thickness | 2 to 20 mm |
| Sash | 65 mm |
| Maximum weight per leaf | 400 Kg |
| Central interlocking | 22 mm |
| Permittable dimensions per leaf (W X H) | 1828mm X 4877mm |

PROVEN INTERNATIONAL SUCCESS

Our system has demonstrated consistent effectiveness through global testing protocols.

Transmittance

Uw from 2.9 (W/m²k)

Maximum acoustic insulation Rw

40 dB

Air permeability

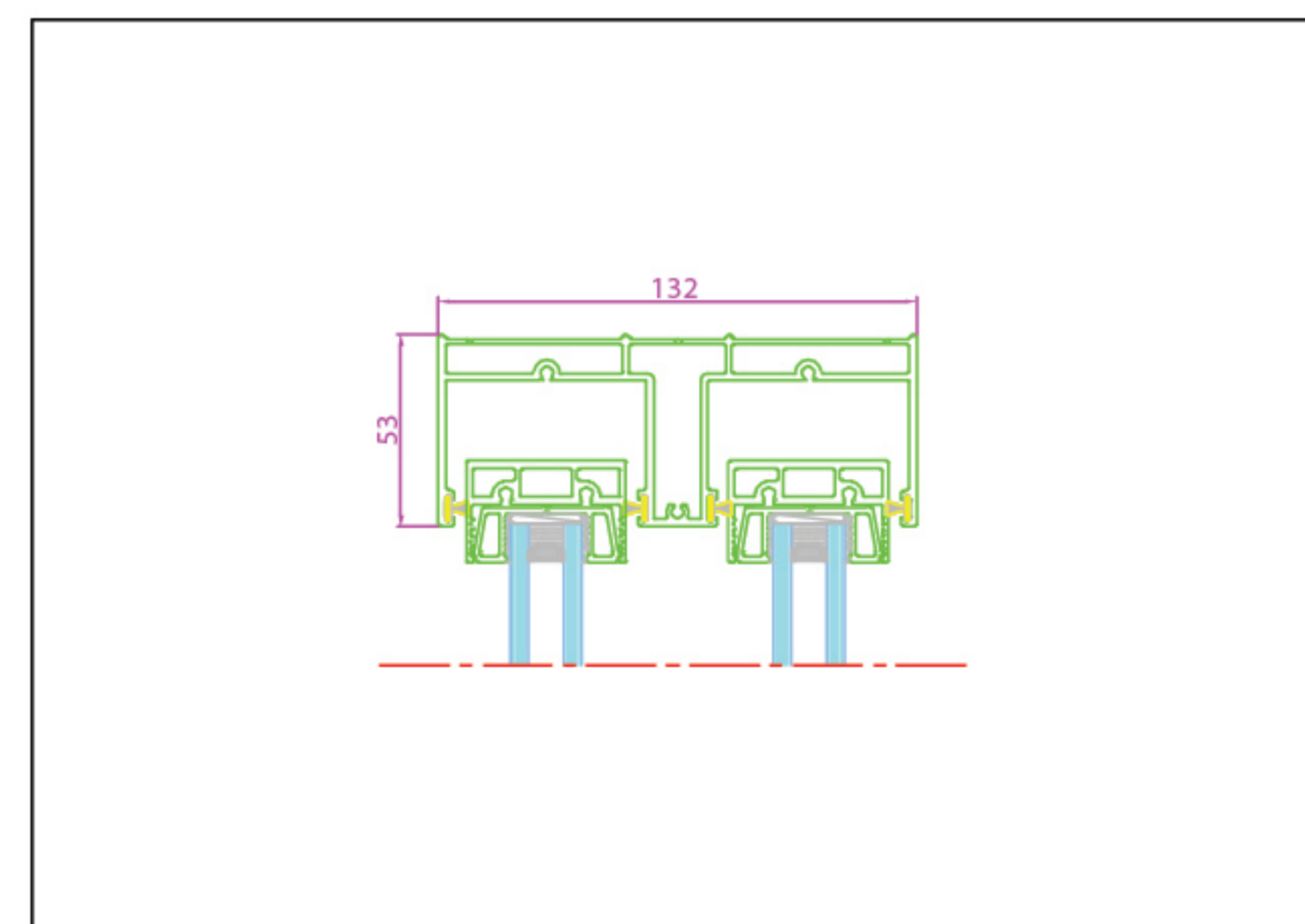
Test BS EN 1026: 2016 (Class 4)

Water tightness

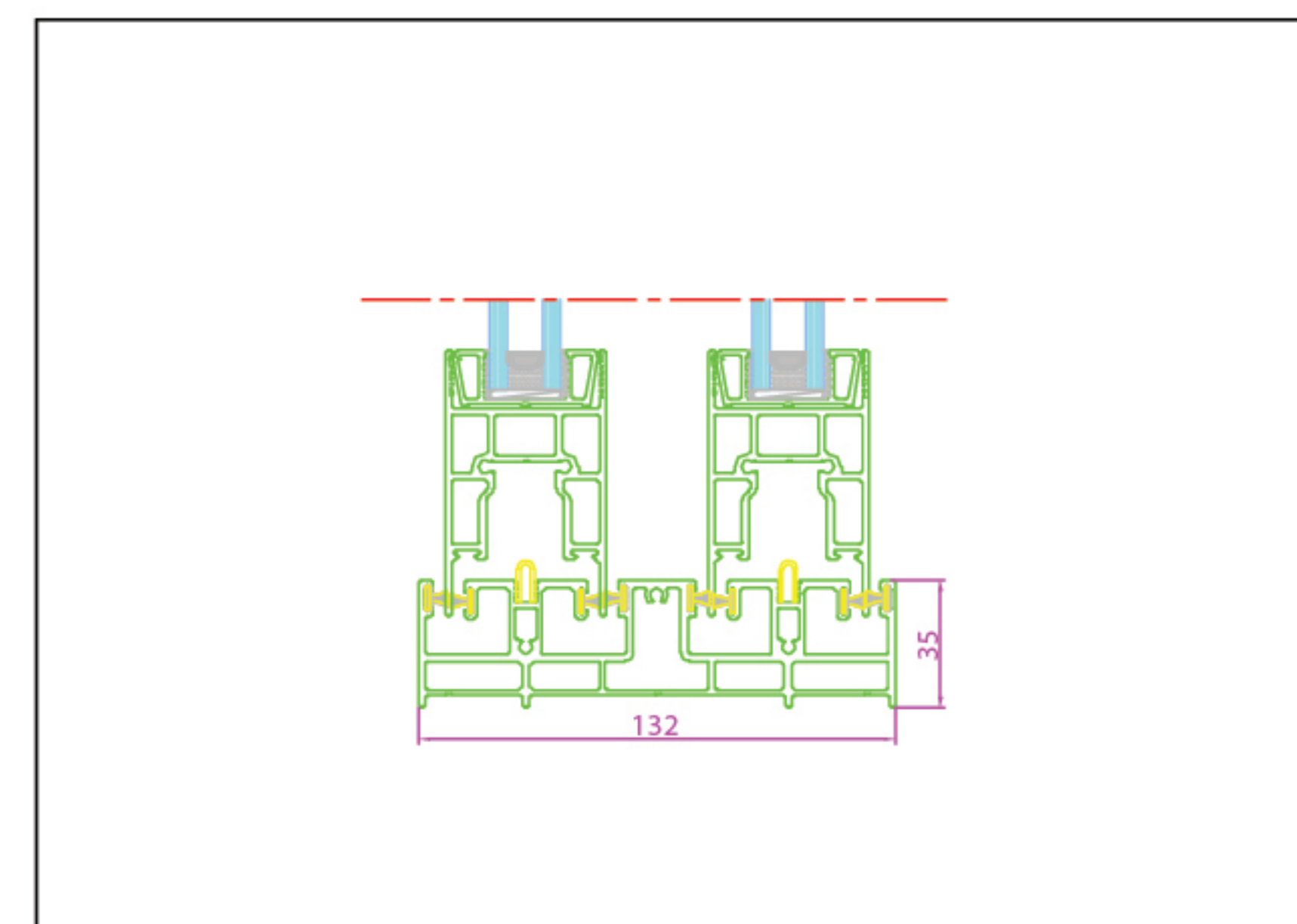
Test BS EN 1027: 2016
(PA 300, Classification 5A)

Wind resistance

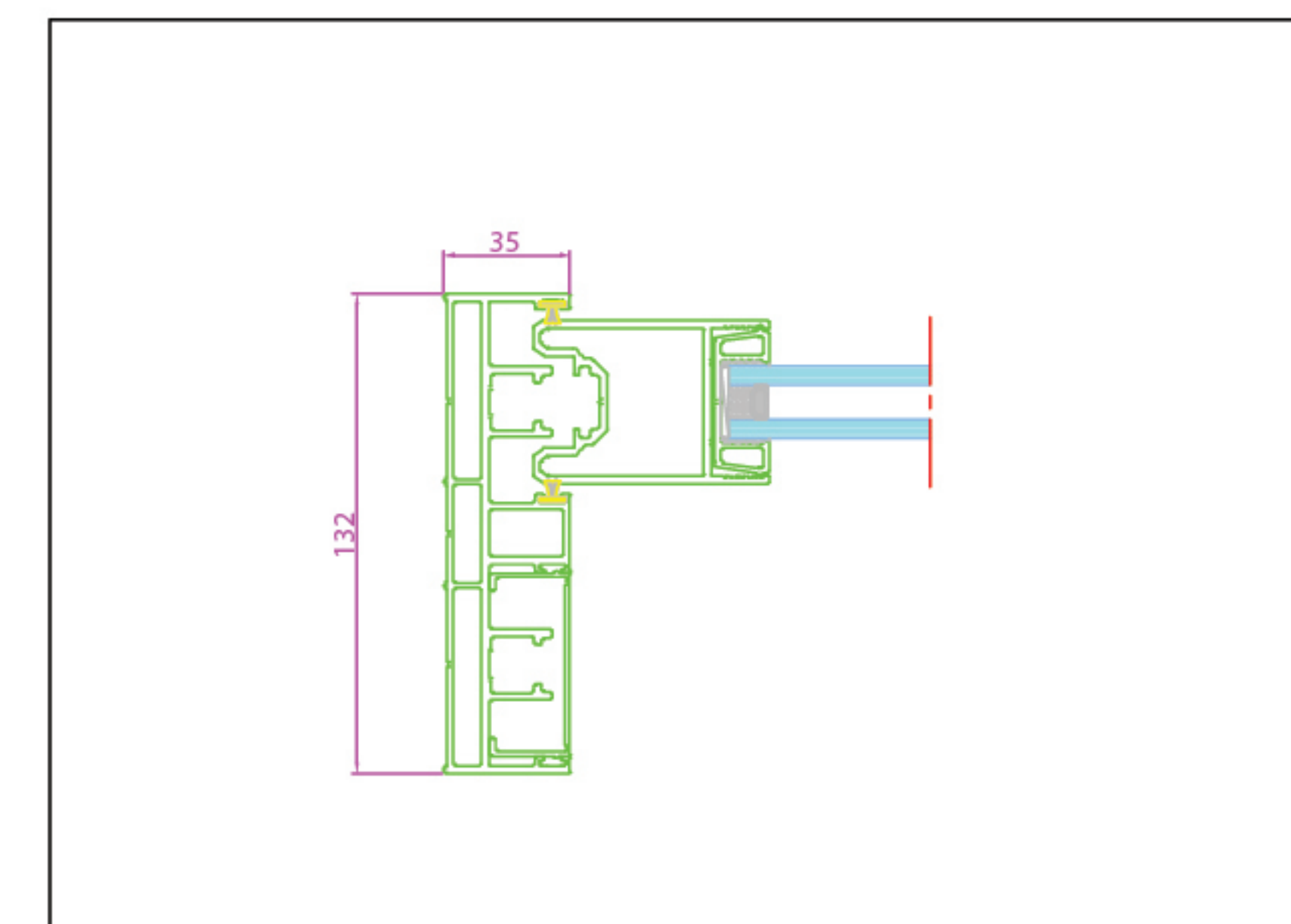
As per BS EN 12210 (3.2 kPa)



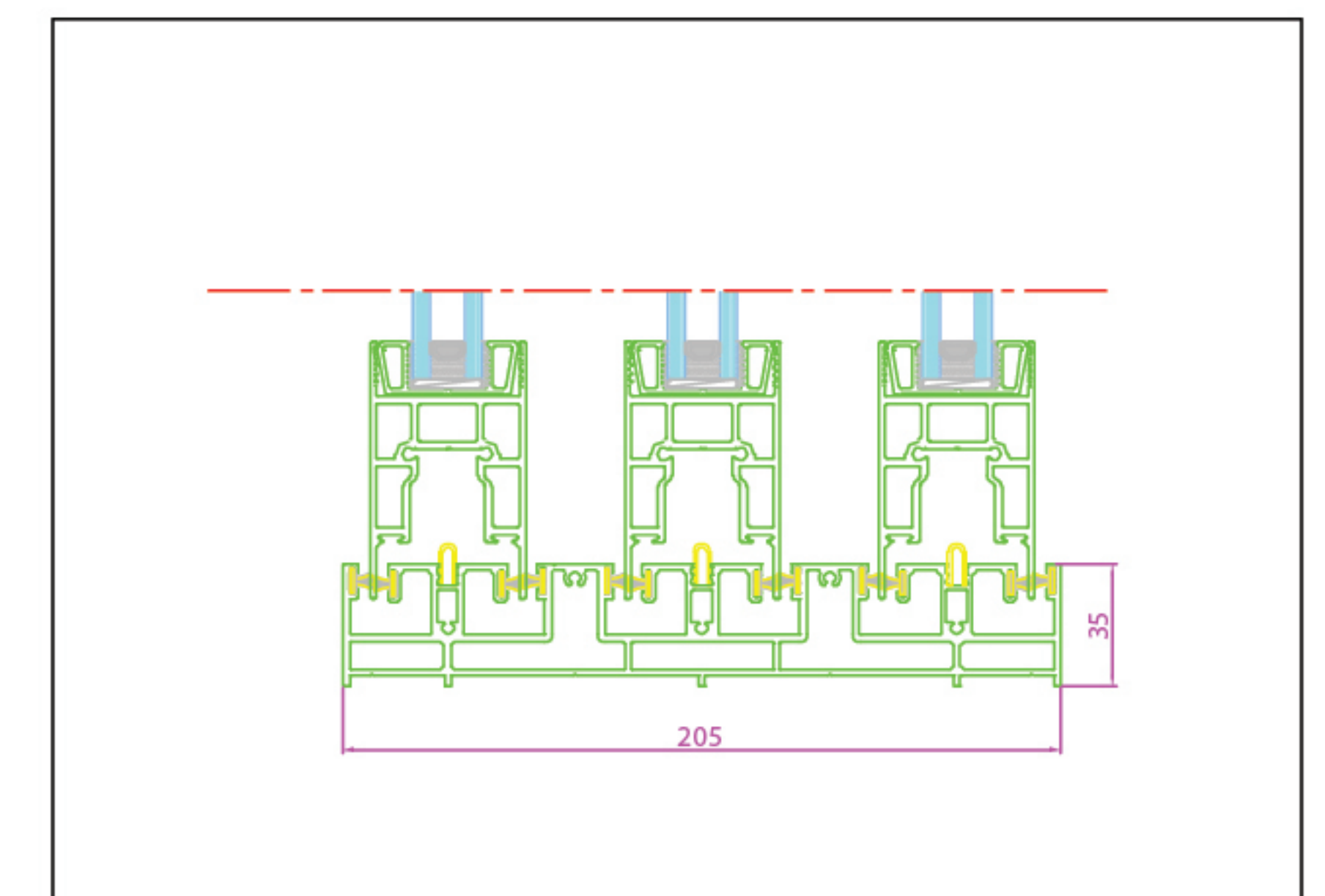
Top Section



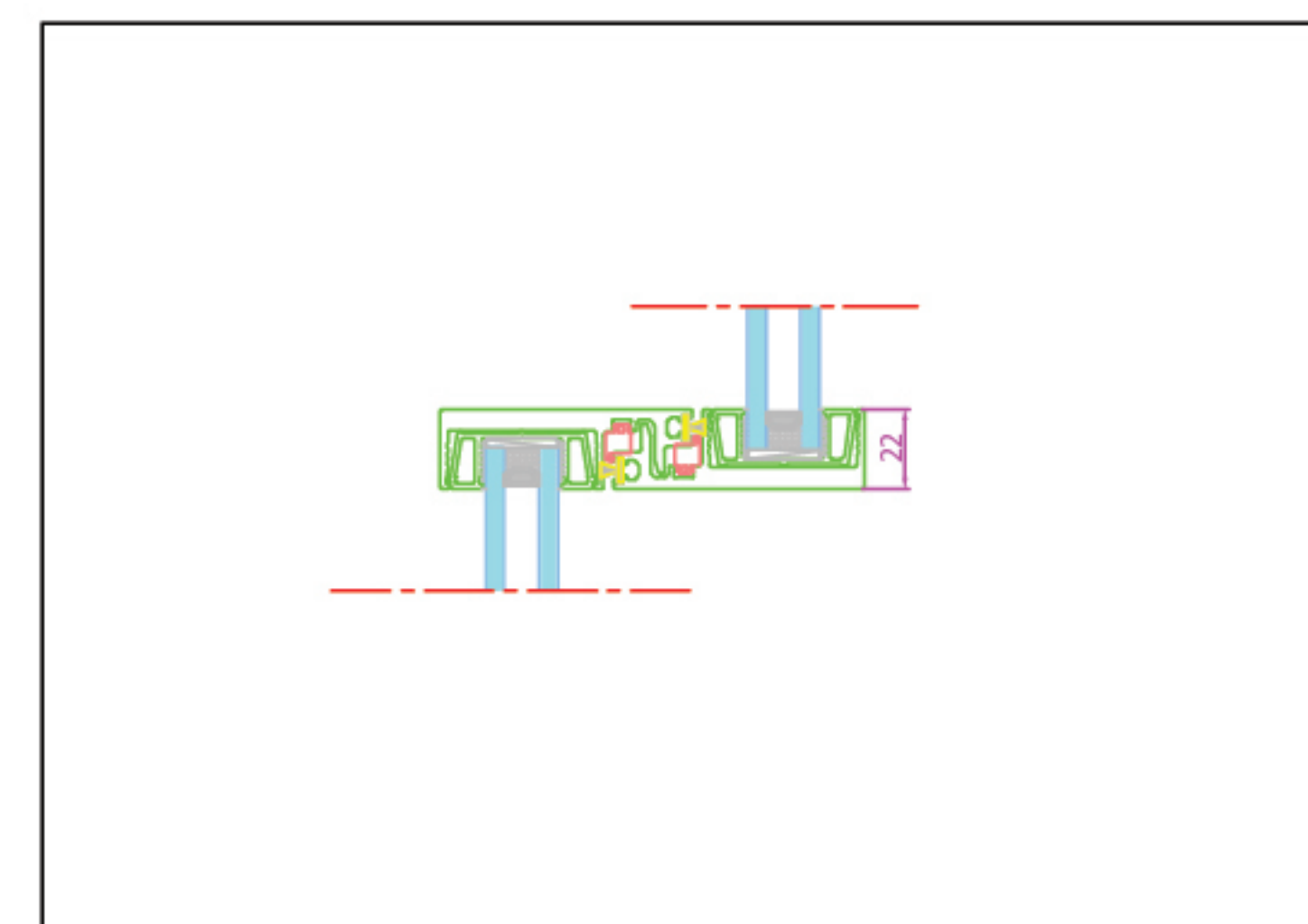
2T Bottom Section



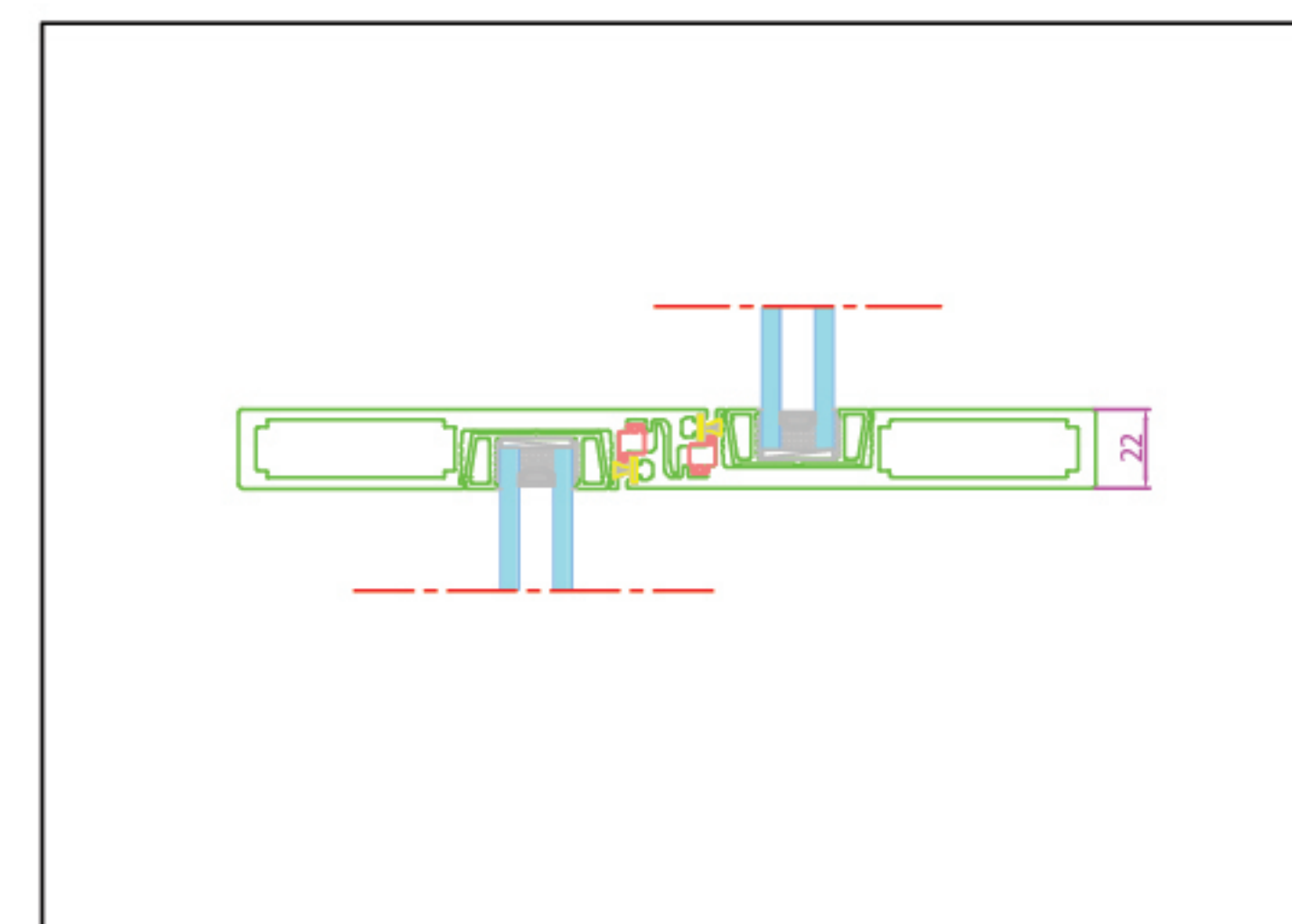
L & R Section



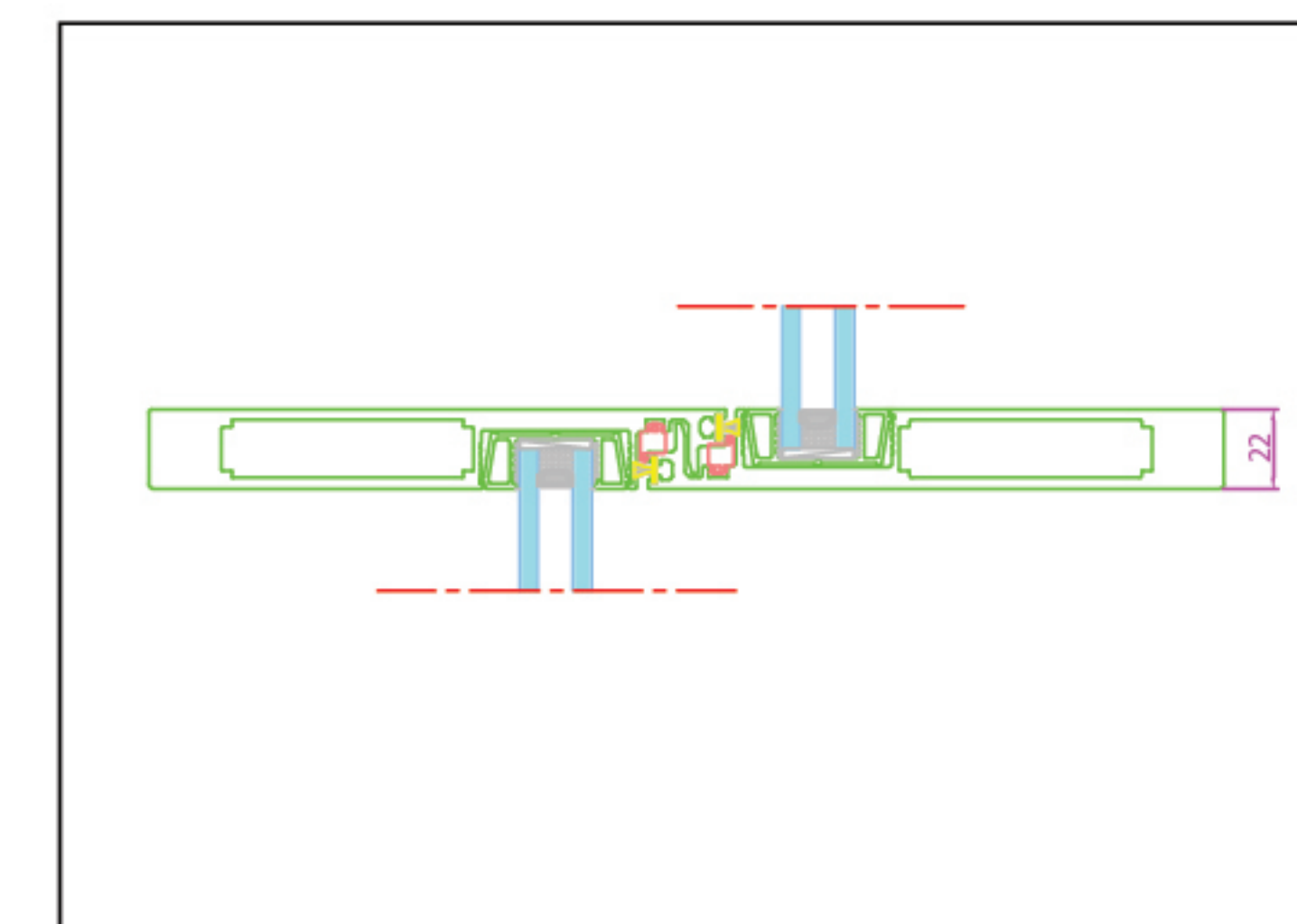
3T Bottom Section



Interlock Section Op-1



Interlock Section Op-2



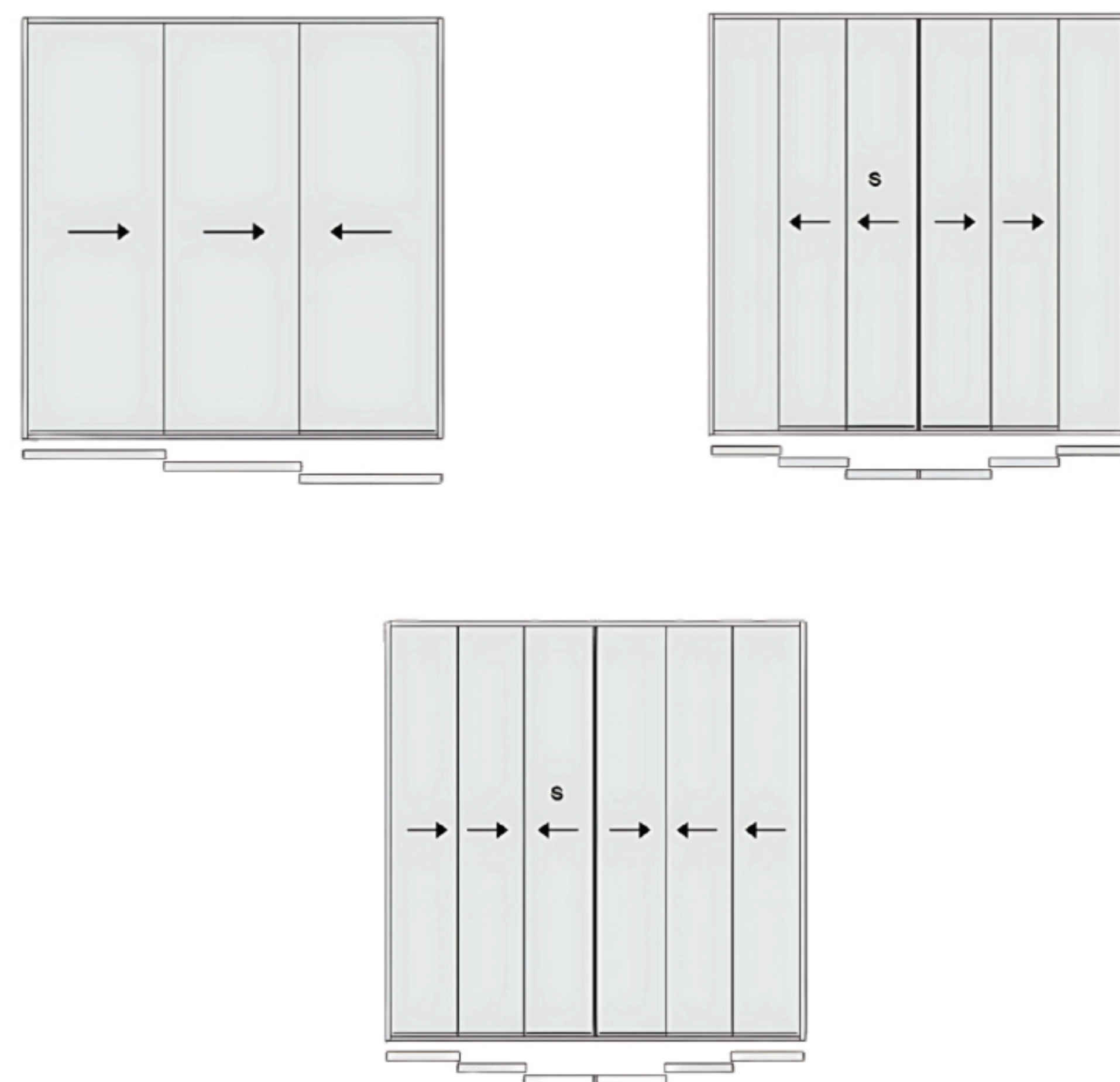
Interlock Section Op-3

TYOLOGY

2 TRACK



3 TRACK



WINDOWS
THAT
**WELCOME
WARMTH**

UNCOMPROMISING QUALITY, BREATHHTAKING VIEWS



GRAFET SYSTEMS INDIA PVT LTD

Mumbai Office


912/46, Poisar Venus, Kandivali
East, Mumbai, Maharashtra
400101

Gurugram Office

90B, Delhi – Jaipur Expy, Udyog
Vihar, Sector 18, Gurugram, Sarhol,
Haryana 122008

 www.grefet.com

 info@grefet.com

 +91 1800 202 3778

Disclaimer : Grefet Systems India Private Limited (GSIPL) reserves the right to change without notice the specifications, design, shape, size, and any other criteria related to the systems mentioned in the brochure, and also to discontinue systems and/or replace any part or accessory of any system. GSIPL also reserves the right to source and indent profiles, hardware, and accessories from any company if deemed fit.

 @grefetsystems

 @grefetinternational

 @GrefetSystems

 @GrefetInternational