



EPIC19

MINIMAL FRAME.
MAXIMUM VIEW.

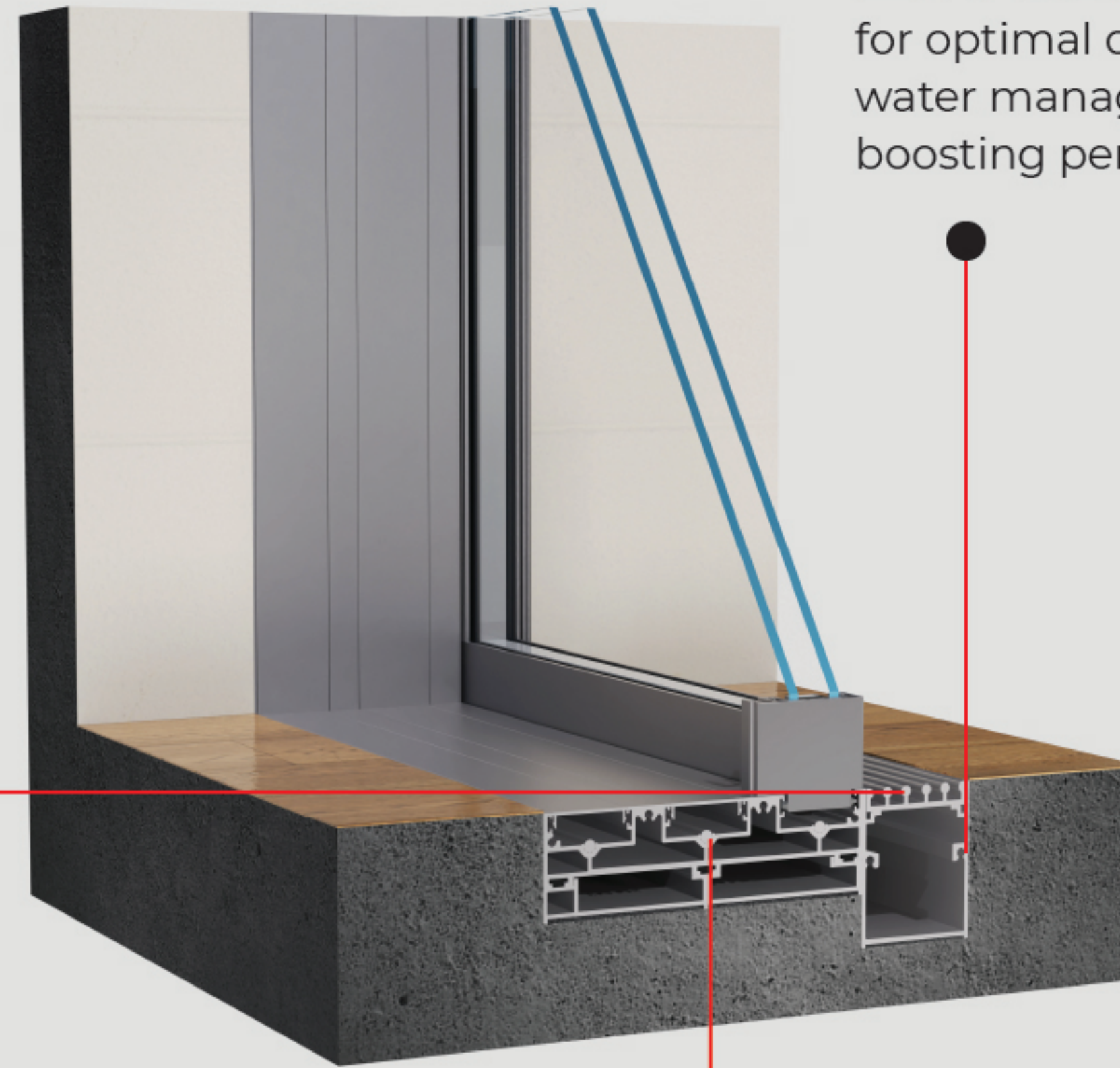
 **GREFET**



THE SCIENCE
OF SYSTEM
WINDOWS

DESIGNED FOR CONVENIENCE,

the system includes cover plates over the drainage gutter, allowing for effortless cleaning and maintenance while ensuring efficient water management.



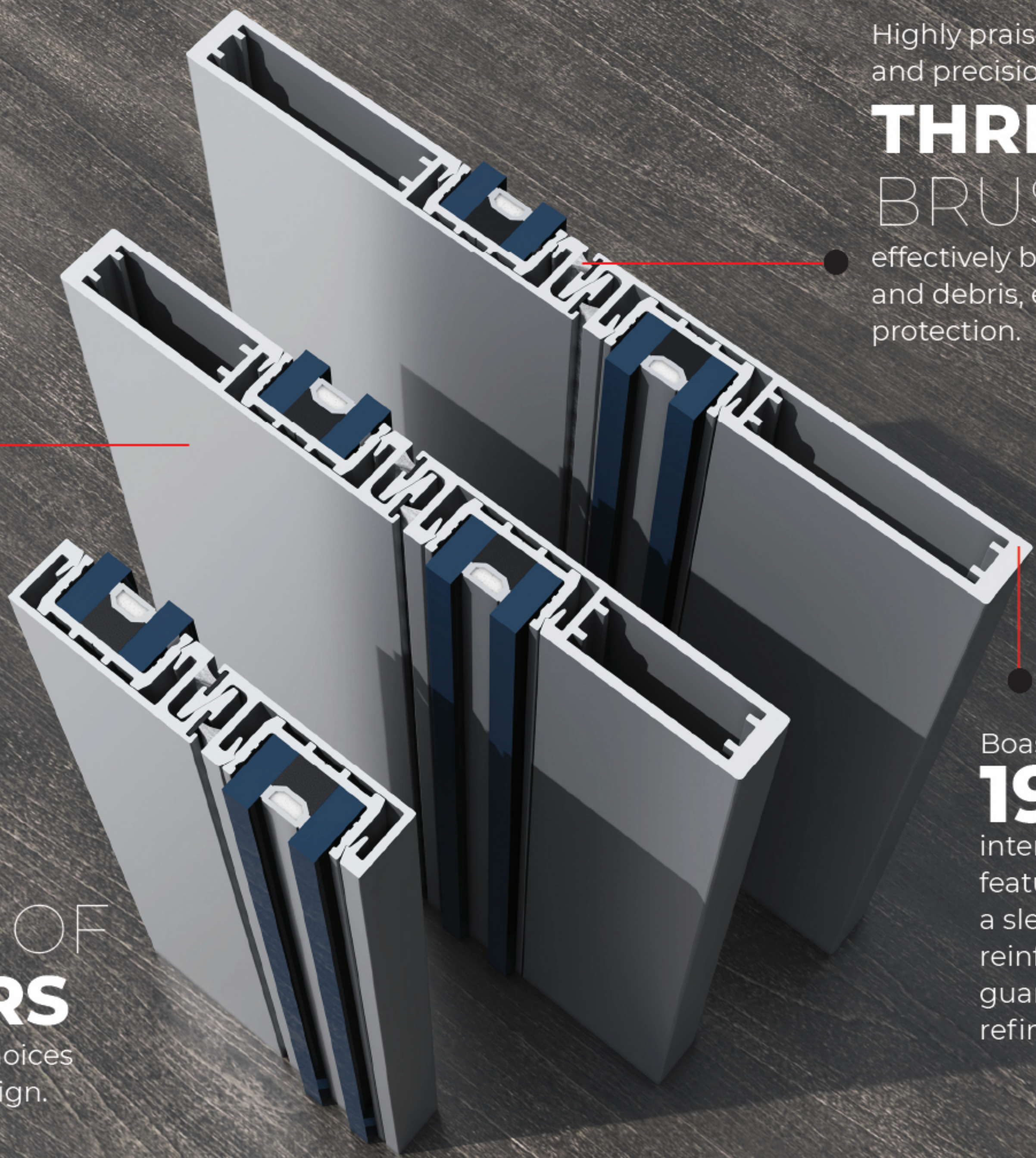
WITH INNOVATIVE GUTTER OPTIONS ENGINEERED

for optimal drainage, this system ensures seamless water management, protecting your space and boosting performance with every detail.

Equipped with

HIGH-GRADE 304 STAINLESS STEEL SOLID GUIDE RAILS,

this system ensures smooth, durable, and effortless operation for long-lasting performance.



Highly praised for their durability and precision, primetrical

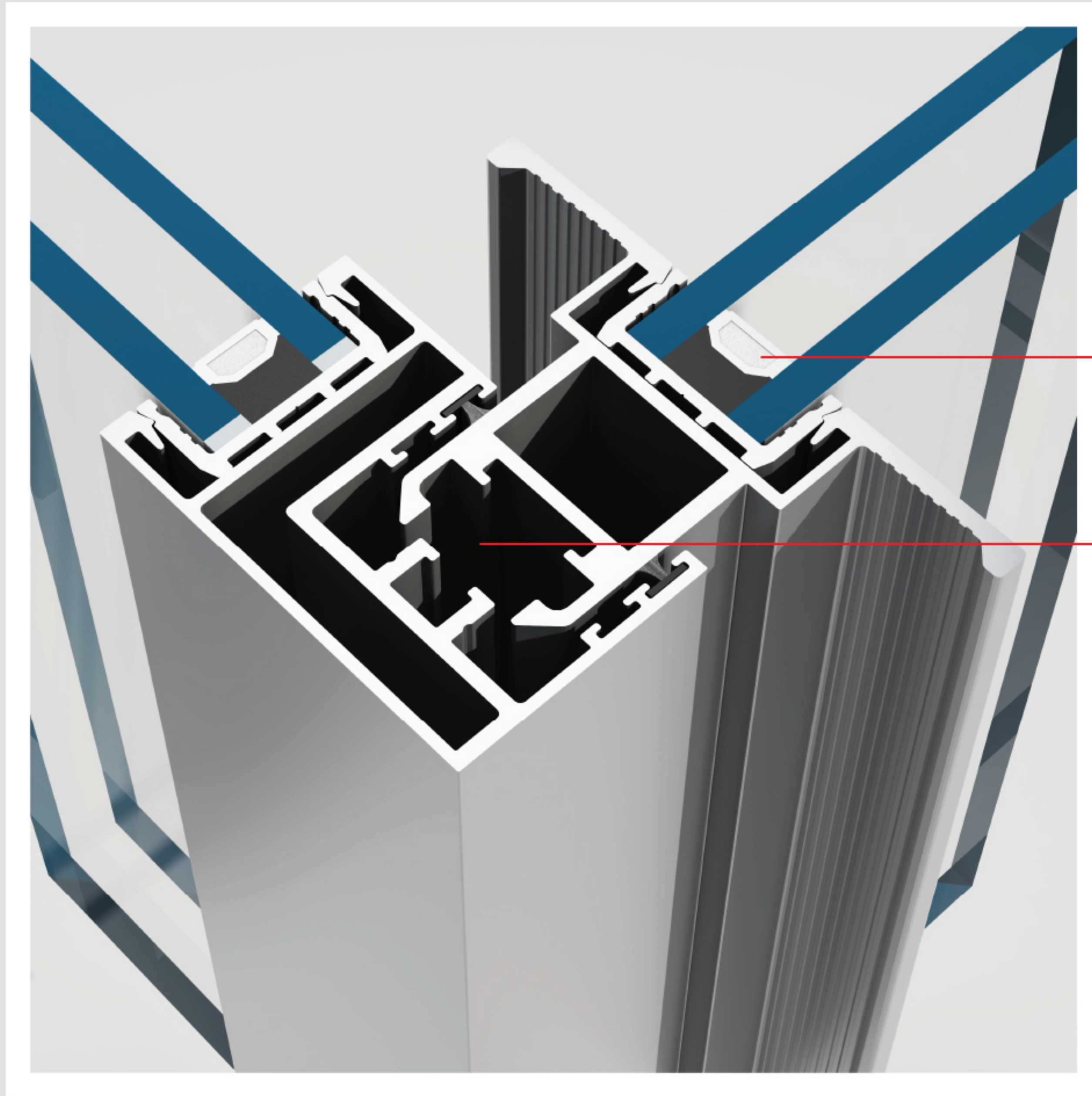
THREE-FIN BRUSHES

effectively block dirt, insects, and debris, ensuring superior protection.

A WIDE SELECTION OF RAL COLORS

and adaptable orientation choices allow for flexible, tailored design.

Boasting a **19MM** interlock as its standout feature, this design combines a sleek sightline with optional reinforced durability, guaranteeing a sleek and refined appearance.



To improve thermal insulation and energy efficiency,

DOUBLE GLAZED UNIT (DGU)

glass is used. Its multi-layered structure, reduces heat transfer and lowers energy consumption, with an insulating argon gas between panes.

- This system offers the possibility of floating **90° CORNERS**, creating a seamless, open space with unobstructed panoramic views.



System offers the option to be
**COMPLETELY
FLUSHED ON ALL
FOUR SIDES,**

creating a clean, uninterrupted surface.
This feature enhances the overall aesthetic,
providing a sleek, modern look while
ensuring a smooth, integrated design.

A FLAWLESSLY
**INTEGRATED
SYSTEM,**

blending seamlessly into its surroundings
to preserve functionality while elevating
modern aesthetics and architectural
sophistication.



UNITIZED. SLIM. **SASH.**



FEATURES **TECHNICAL**

Alloy grade	6063 - T6
Glazing	12 - 24 mm glass
Possible Typology Possibilities	2, 3, 4, 6 sashes 2 track & 3 track
Sections Frame	2 track 104 mm 3 track 163 mm
Frame depth	34 45 mm

FEATURES **TECHNICAL**

Profile thickness	2.5 to 6 mm
Sash	33 mm
Maximum weight per leaf	400 Kg
Central interlocking	19 mm
Permittable dimensions per leaf (W X H)	1800 mm X 3660 mm

PROVEN INTERNATIONAL SUCCESS

Our system has demonstrated consistent effectiveness through global testing protocols.

Transmittance

Uw from 2.9 (W/m2k)

Maximum acoustic insulation Rw

40 dB

Air permeability

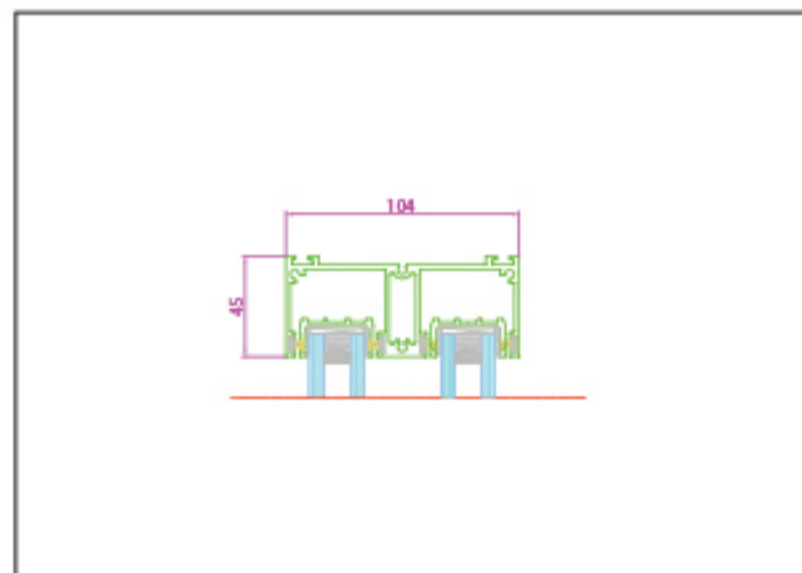
Test BS EN 1026: 2016 (Class 4)

Water tightness

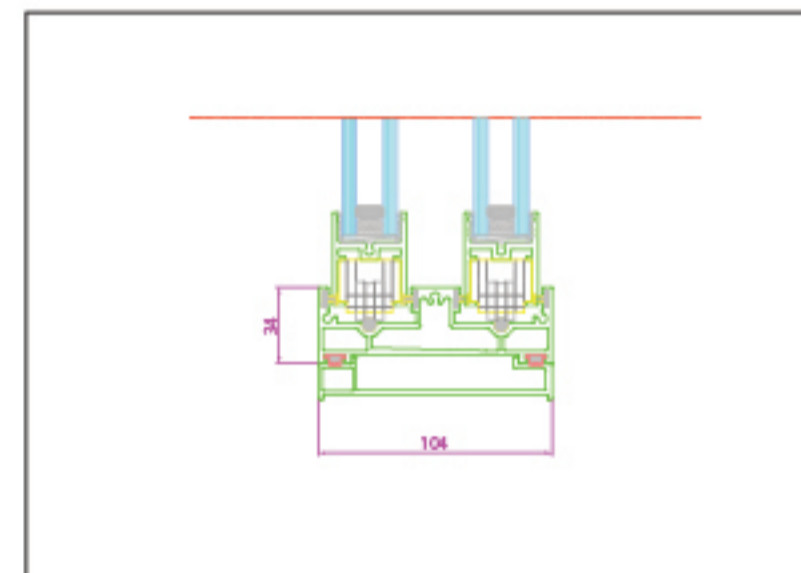
Test BS EN 1027: 2016
(PA 200, Classification 5A)

Wind resistance

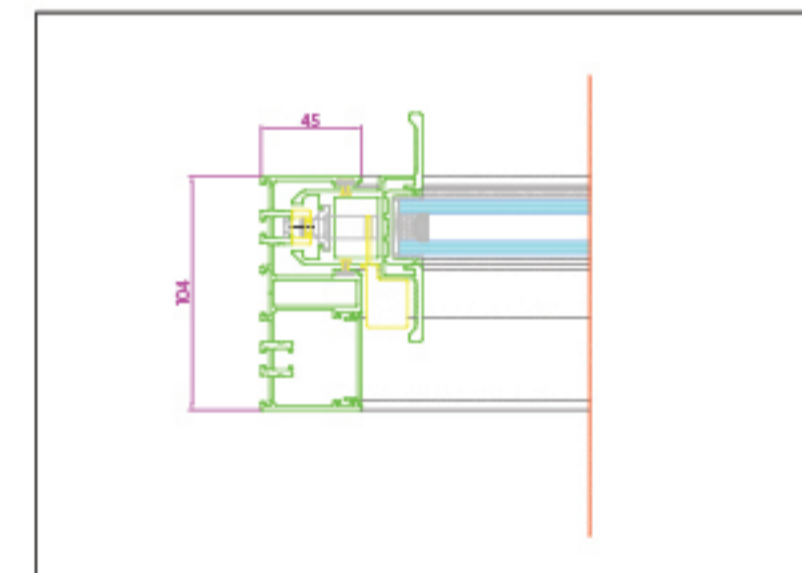
As per BS EN 12210 (2.8 KPA)



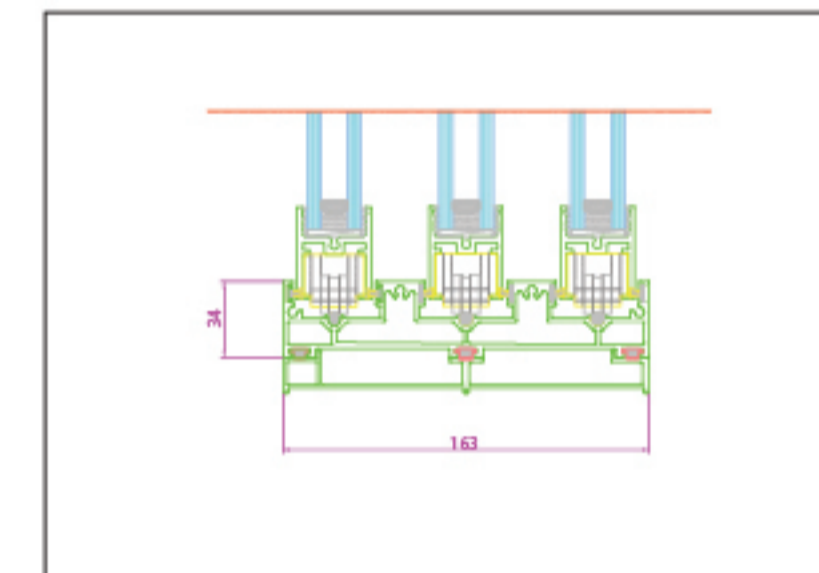
Top Section



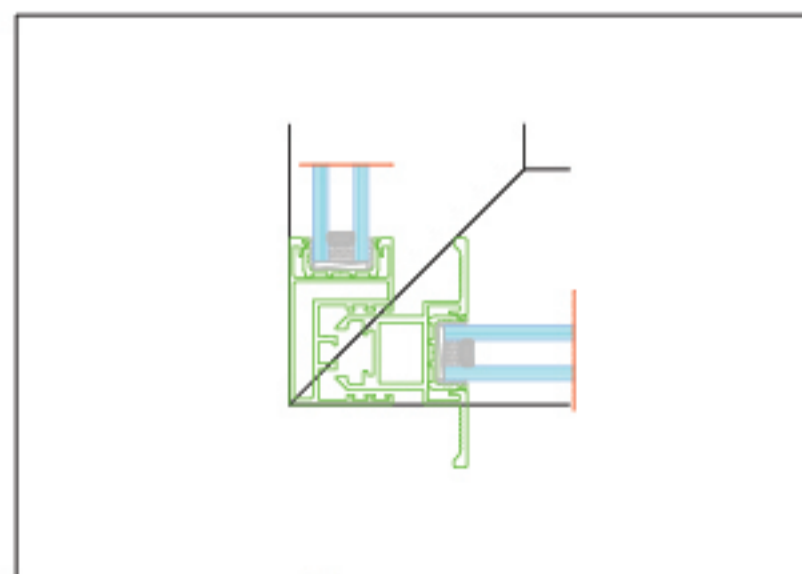
2T Bottom Section



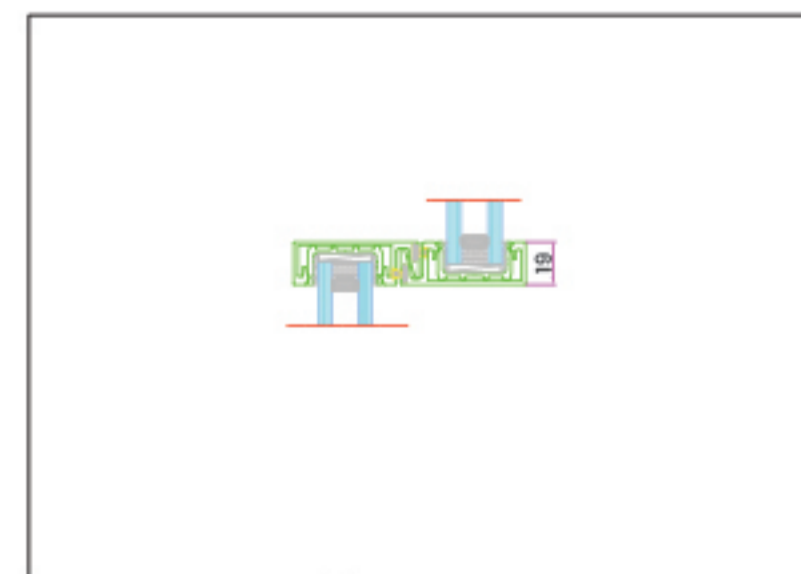
L & R Section



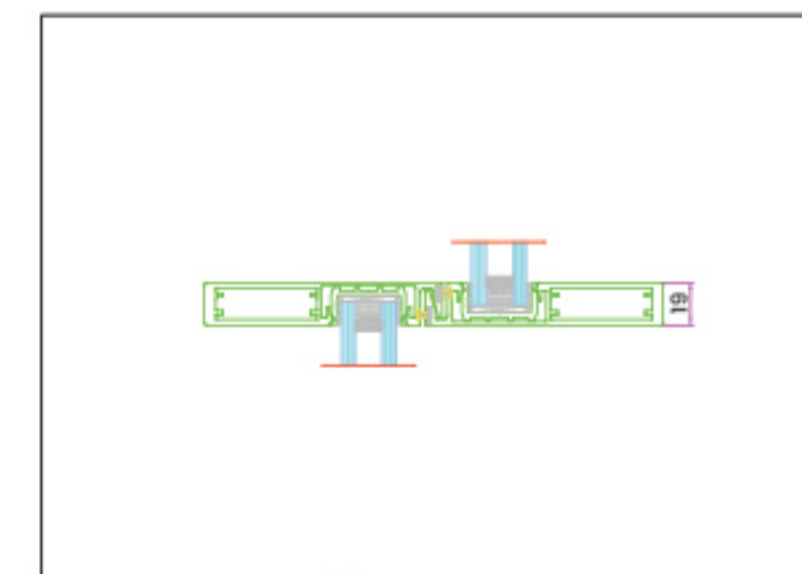
3T Bottom Section



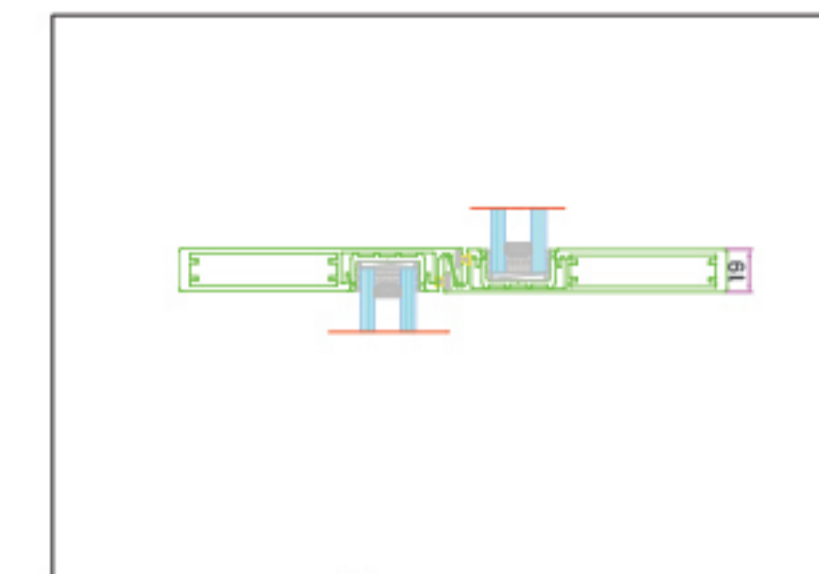
Floating Corner



Interlock Section Op-1

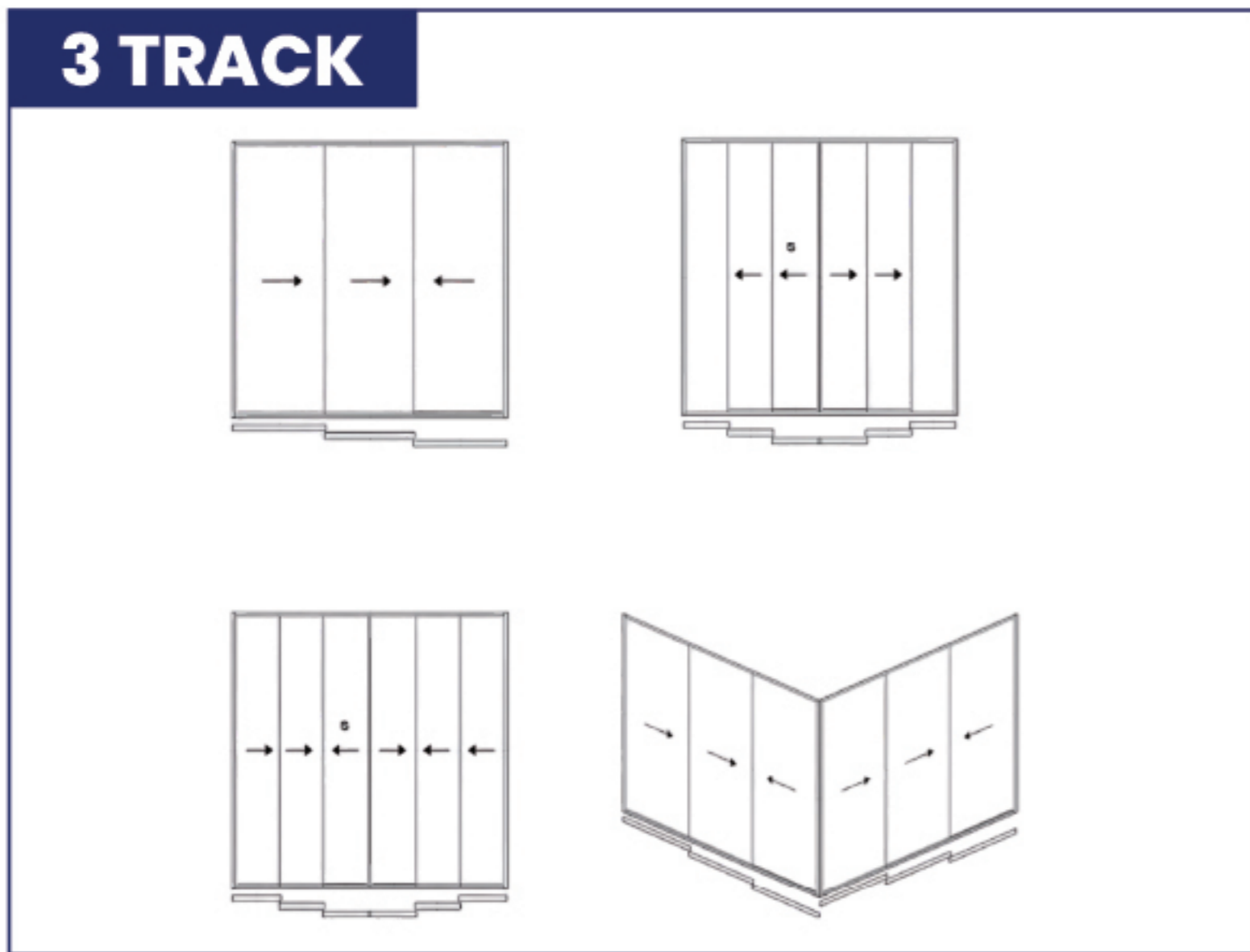
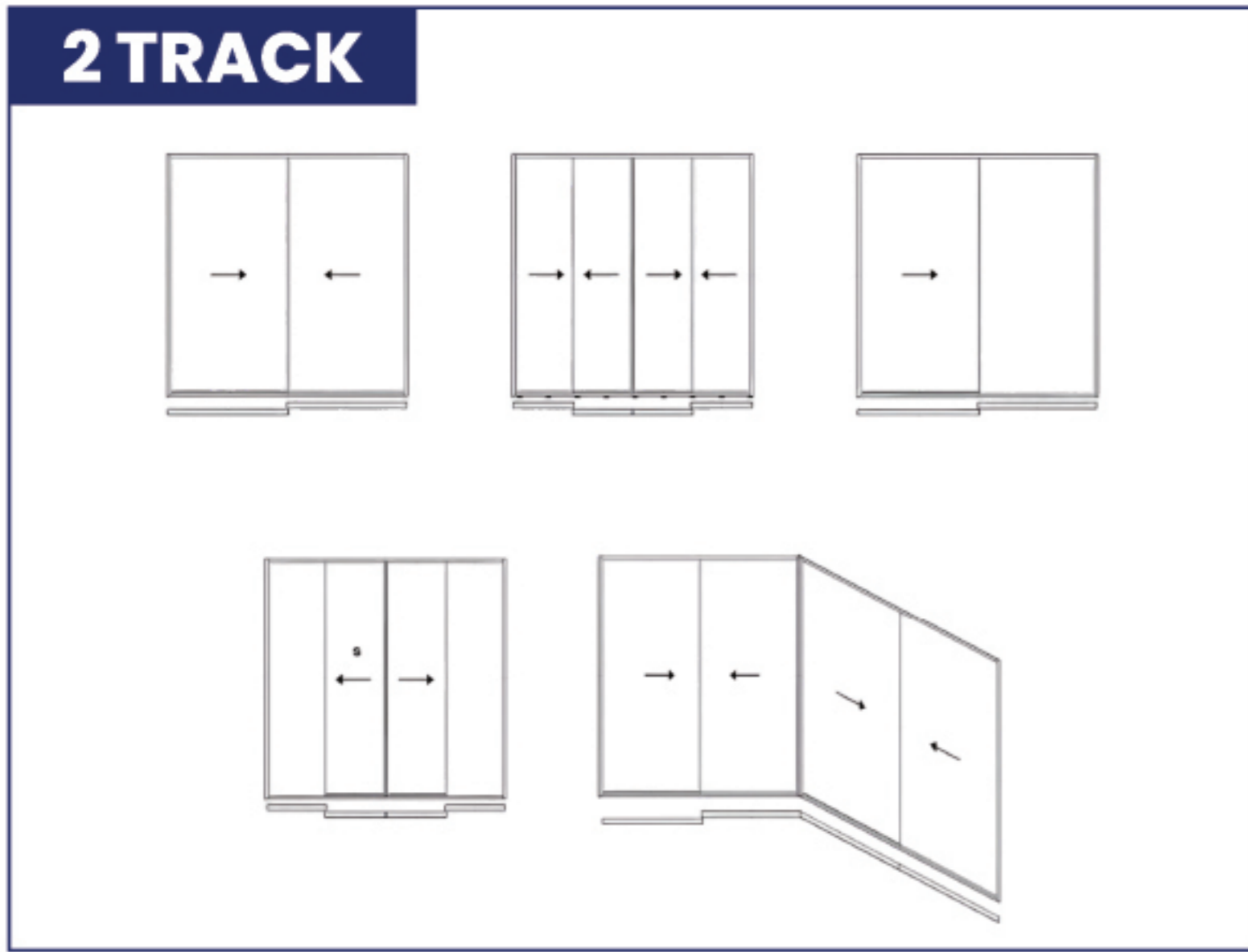


Interlock Section Op-2



Interlock Section Op-3

TYOLOGY



SEAMLESS.

SLEEK.

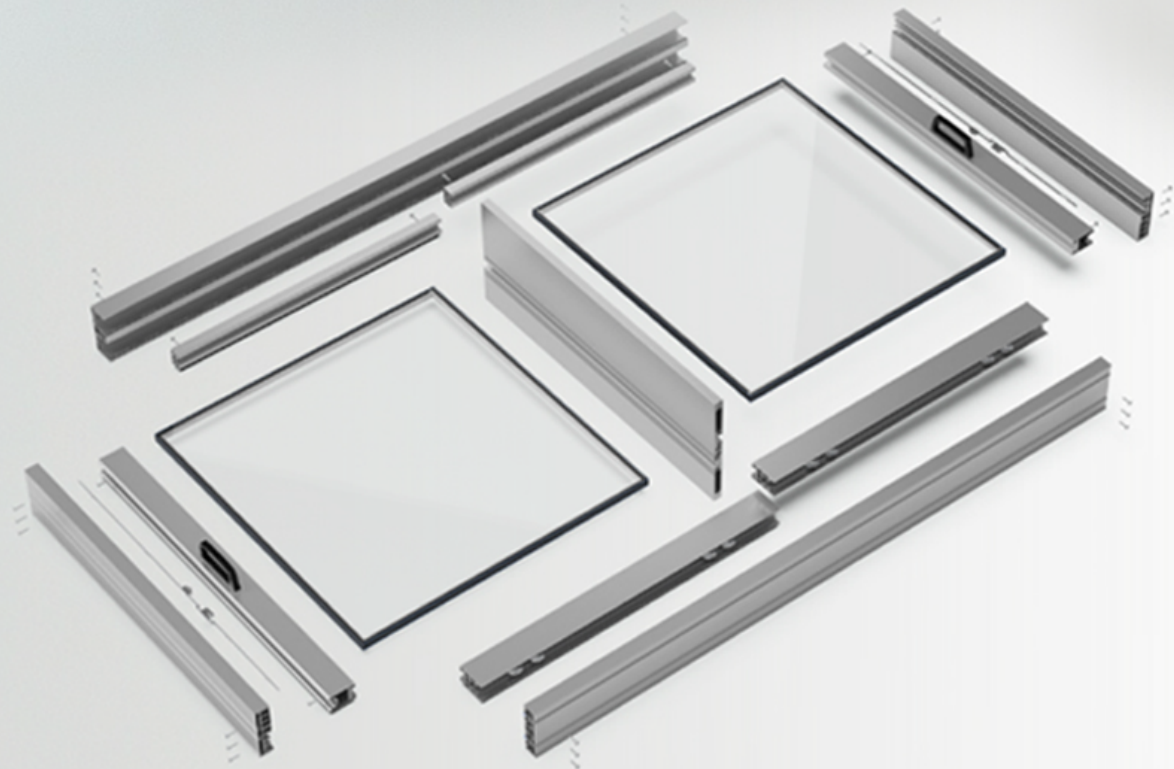
STRONG.

SCIENCE

you trust.

TRANQUILITY

you feel.



GRAFET SYSTEMS INDIA PVT LTD

Gurugram Office

90B, Delhi - Jaipur Expy, Udyog
Vihar, Sector 18, Gurugram, Sarhol,
Haryana 122008

 www.grefet.com  info@grefet.com  +91 1800 202 3778

Disclaimer : Grefet Systems India Private Limited (GSIPL) reserves the right to change without notice the specifications, design, shape, size, and any other criteria related to the systems mentioned in the brochure, and also to discontinue systems and/or replace any part or accessory of any system. GSIPL also reserves the right to source and indent profiles, hardware, and accessories from any company if deemed fit.